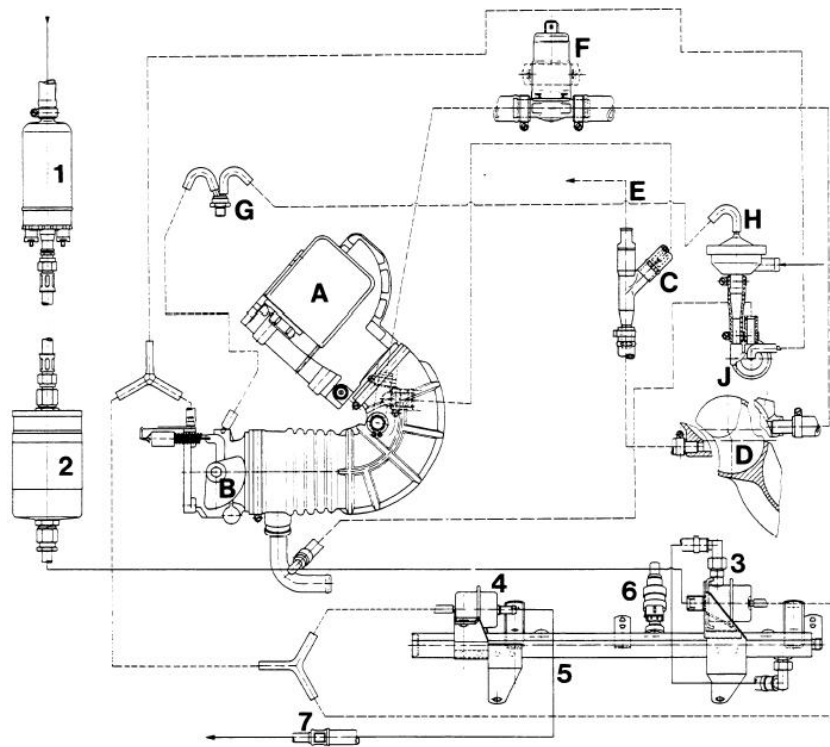


FUEL-13, Fuel and Vacuum Line Diagram (1985.5 and Newer N/A 944s)

Introduction

The following fuel system line diagram includes most of the vacuum line routing for the 1985.5 and newer 8V Normally-Aspirated 944s. However, there is additional vacuum line routing for the heater control valve and ventilation controls. That vacuum line routing is similar for all 944 models and will be included in a drawing to be developed in the near future.

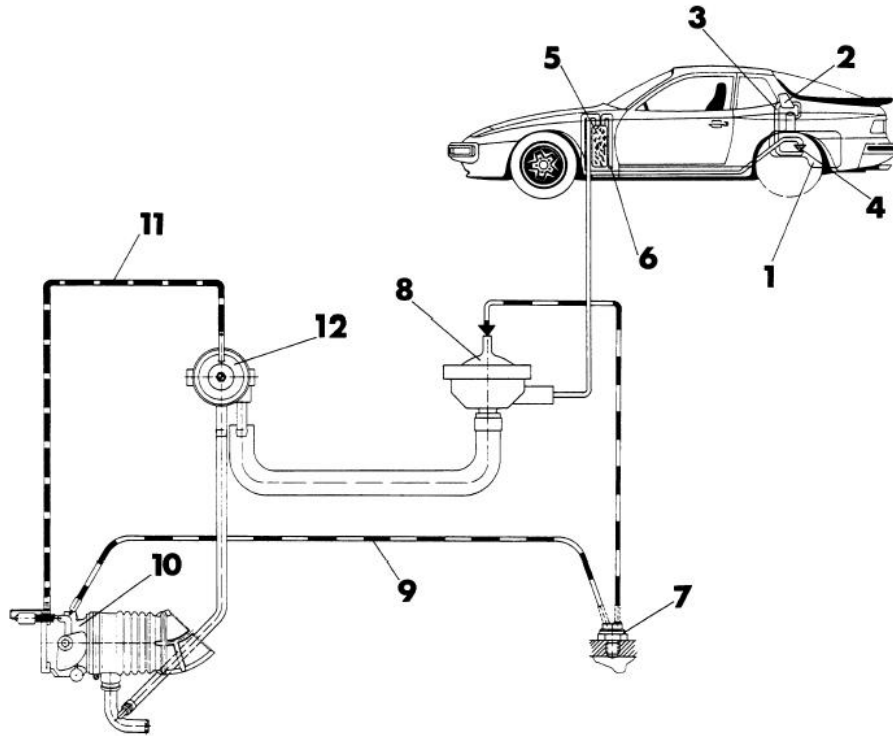
FUEL SYSTEM LINE ROUTING – 1985/2 MODELS



- 1 - Fuel pump
- 2 - Fuel filter
- 3 - Pressure damper
- 4 - Pressure regulator
- 5 - Injection line
- 6 - Fuel injector
- 7 - Fuel return

- A - Air flow sensor
- B - Throttle housing
- C - Ejection pump
- D - Intake pipe
- E - To brake booster
- F - Idle speed control
- G - Temperature valve
(open above 58° C)
- H - Shutoff valve
- J - Control valve

**ACTIVE CARBON TANK FOR POLLUTANT-FREE FUEL TANK VENTING
(LAYOUT)**



- 1 - Fuel tank
- 2 - Expansion tank
- 3 - Vent line
- 4 - Safety valve
- 5 - Active carbon tank
- 6 - Flushing air line

- 7 - Temperature valve
- 8 - Shutoff valve
- 9 - Vacuum line
- 10 - Throttle valve
- 11 - Vacuum line
- 12 - Control valve